

**Boutique Manufacturing
Conquer the word with Quality**



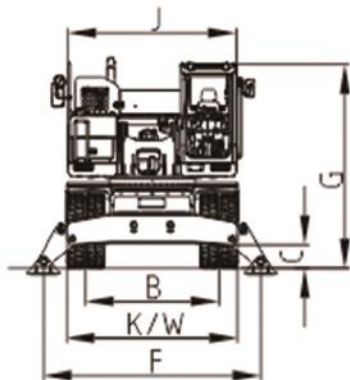
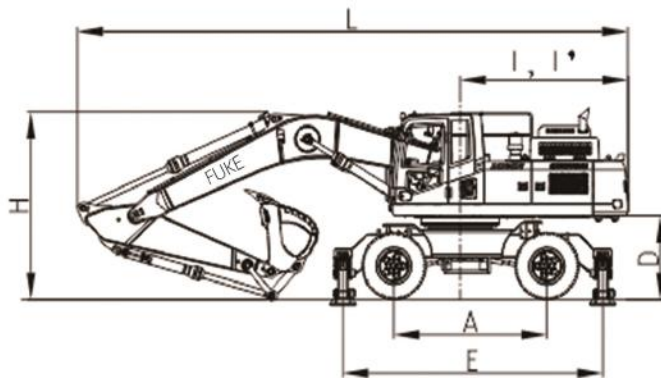
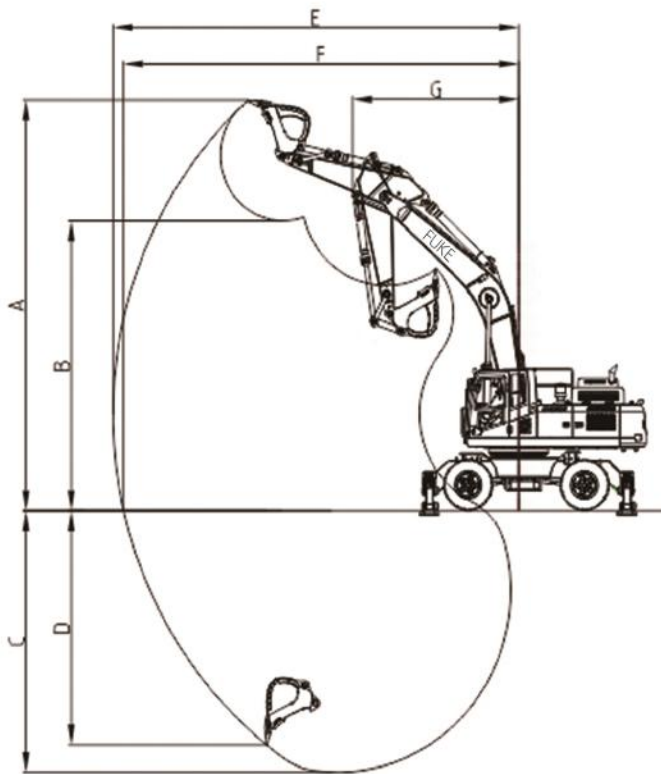
FK320-9L

Total Weight: 32000 kg

Standard bucket capacity: 1.4 m³

Rated power: 194/2200 kW/rpm

- New generation product
- Exquisite
- Reliable structure
- Excellent performance
- Small and efficient
- Convenient maintenance
- Cost-effective



► Technical specifications

Basic parameters

Total Weight	32000 kg
Standard bucket capacity	1.4 m ³

Performance parameter

Engine	Cummins
Engine rated power	194/2200 kW/rpm
Gradeability	70%(35°)
Maximum digging force of stick	157 kN
Bucket excavation	201.5 kN
Driving speed	25 km/h
Platform rotation speed	9.7 rpm

Job parameters

Maximum digging height	10080 mm	A
Maximum digging depth	7102 mm	B
Maximum digging radius	6430 mm	C
Maximum digging radius on the ground	5755 mm	D
Maximum vertical digging depth	10460 mm	E
Maximum unloading height	10185 mm	F
Minimum turning radius of working device	4250 mm	G

Transport size

Overall length (transport state)	10800 mm
Overall width (transport state)	3050 mm
Overall height (transport state)	3500 mm

Other parameters

Wheelbase	3000 mm	A
Axle track	2378mm	B
Minimum ground clearance	400 mm	C
Counterweight ground clearance	1563 mm	D
Leg spacing	5100mm	E
Width of outrigger	3872 mm	F
The height of the top from the ground	3500 mm	G
Tail length	3292 mm	I
Radius of tail gyration	3300 mm	I'

安徽福客重工设备有限公司
Anhui Fuke Heavy Industry Equipment Co., Ltd.

Contact us:

Phone/Whatsapp:+8613505697380

Email:fk002@fukebn.com/fuke7380@gmail.com

www.fukeonline.com





Multifunctional Excavator



Optional accessories (for excavators)



Jaw Crusher



Multifunctional Crushing Screen



Multifunctional Hydraulic Shears



Alligator Crusher



Horizontal Screening Bucket



Rotating Screening Bucket



Hydraulic Vibration Rammer



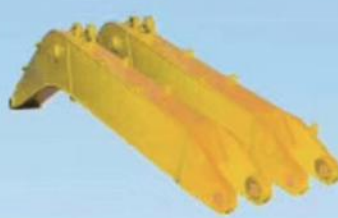
Slope Vibration Rammer



Milling machine



Milling machine



Extended arm



Rippers



Hydraulic Wood Clamp



Steel Scissors



Mechanical Crushing Head



Mechanical Wood Clamp



Steel Grabbing Machine



Shell Bucket



Hydraulic Battery Sucker



High Frequency Breaker

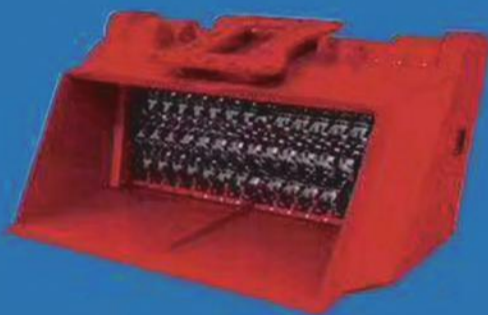




FUKE 福客®



Jaw Crusher



Multifunctional
Crushing Screen



Hydraulic
Wood Clamp



Rotating
Screening Bucket



Multifunctional
Hydraulic Shears



Milling Machine

ANHUI FUKE HEAVY INDUSTRY EQUIPMENT CO., LTD.

安徽福客重工设备有限公司

WWW.FUKEONLINE.COM
Email:fk002@fukebn.com
Whatsapp:+8613505697380

