

FK14-957

进 取 不 止

FUKE

Boutique Manufacturing

Conquer The World With Quality



Basic Information

Weight of complete machine

15.5t

Wheelbase

3200mm

Gradeability

25°

Max. torque

860N.m

Rated power

162KW

Tire size

23.5-25

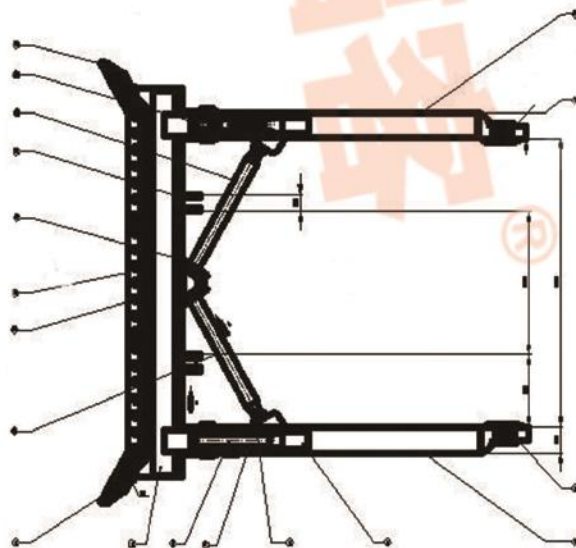
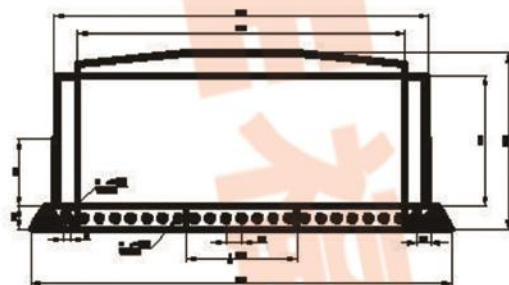
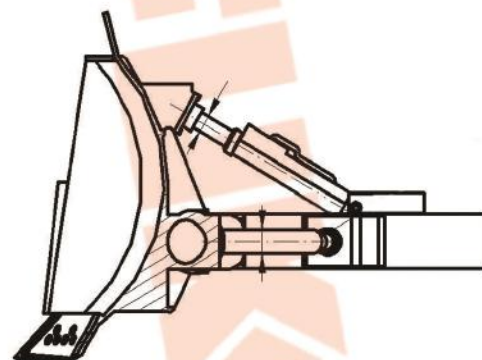
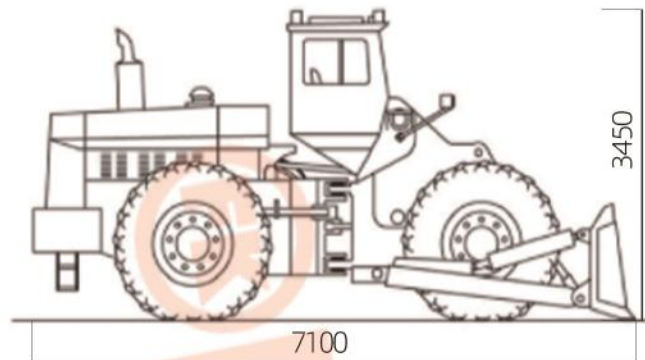


Technical Specification

Overall Dimension (mm)	7100×3600×3450(L*W*H)
Wheelbase (mm)	3200
Wheel track (mm)	2240
Height of shovel blade (mm)	1000
Weight of complete machine (t)	15.5
Maximum lift height of dozer blade	1060
Maximum down depth of dozer blade(mm)	400
Blade width(mm)	3600
Gradeability (°)	25
Model of engine	Yuchai
Pattern	Turbocharger, vertical, water-cooled, 4-stroke, direct injection
Rated power	162KW
Specified rotational speed	2100r/min
Max. torque	860N.m
Tire size	23.5-25
Brake system	Air assisted oil disc on four wheel
Parking brake	Air cutting control inner expand hoof
Model of torque device	HANGZHOU ADVANCE
Pattern	3-element, single stage
Transmission type	Full-powershift, countershaft type
Number of gear	2 forward, 1 reverse
Max. travel speed	40km/h
Axle	Feicheng
Main reducer type	Arc taper gear, modelration of first grade
Pattern of wheelside moderation	Single stage planetary
Implement pump	CBGJ2080/1010
Displacement	250L/min
System working pressure	20.3MPa
Distribution device model	DF32
Pilot valve model	DJS



Outline



*We follows the principle of continuous improvement Product performance parameters will be partially changed due to technical improvements without prior notice.

