

FK **FUKE** 福客®

FK-140

进取不止

FUKE

**Boutique Manufacturing
Conquer The World With Quality**



www.fukeonline.com

fk002@fukebn.com

Basic Information

Gross weight

16000kg

Max. roll angle

90°

Main traction force

90KN

Blade length

3962mm

Rated power

154KW

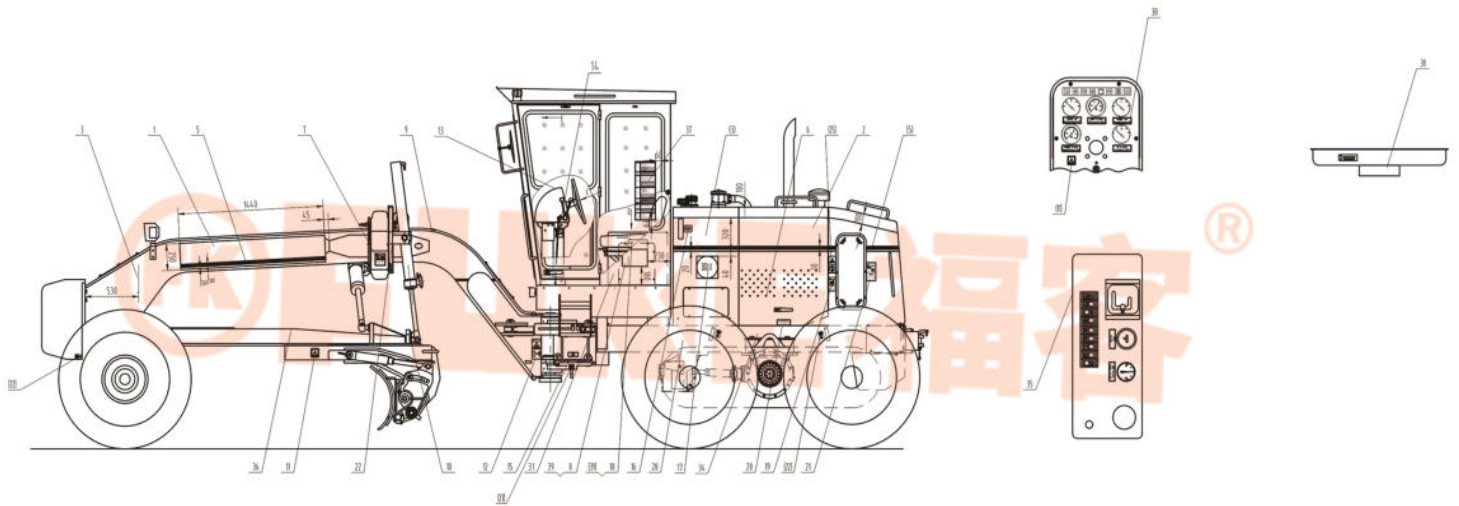
Rated rotary speed

2200rpm

www.fukeonline.com

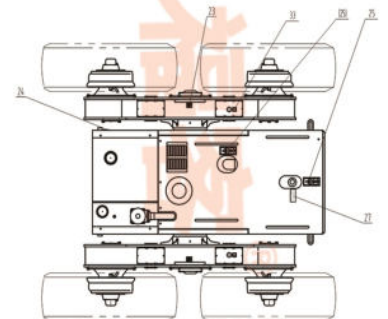
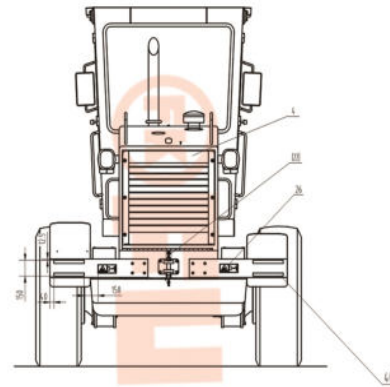
fk002@fukebn.com

Outline



Technical Specification

Gross weight	16000 Kg
Engine model	Yuchai
Rated power	154/210 KW/HP
Rated speed	2200 R/MIN
Main traction force	90 kn
Blade cutting force	7700 Kg
Dimensions (length X width X height)	9250x2600x3330 mm
Wheelbase Front and rear axle wheelbase	6340 mm
Wheelbase of middle and rear axle	1554 mm
Left and right track	2250 mm
Steering system Maximum steering angle of front wheels	45 (°)
Maximum articulated steering angle	20 (°)
Minimum turning radius	8100 mm
Blade length	3962 mm
Blade string height	610 mm
Maximum roll angle	90 (°)
Rotation angle	360 (°)
Variation range of shovel angle	30~65 (°)
Maximum lifting height	455 mm
Maximum penetration depth	495 mm



*We follows the principle of continuous improvement Product performance parameters will be partially changed due to technical improvements without prior notice.



Contact us:

Phone/Whatsapp:+8613505697380

Email:fk002@fukebn.com/fuke7380@gmail.com

FUKE

Anhui Fuke Heavy Industry Equipment Co., Ltd.