

**FK** **FUKE** 福客®

**FUKE**

Boutique Manufacturing,

Conquer The World with Quality

**FK33-16**



FUKE FK33-16 **Basic Information**

Concrete output

**1.6m<sup>3</sup>**

Operating weight

**5000 kg**

Max. LOAD

**3540kg**

Max. capacity

**90L/min**

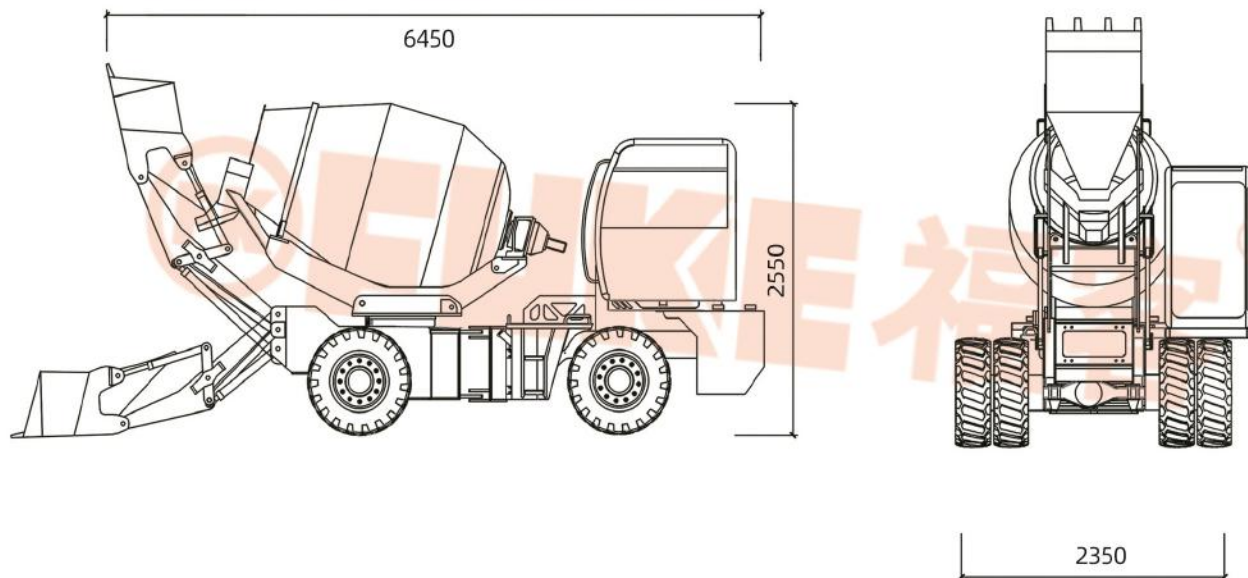
Max. torque

**237Nm**

Max. power

**55Kw**





### Technical Specification

|                    |   |                                   |   |
|--------------------|---|-----------------------------------|---|
| Engine Model       | Yuchai  | WATER SYSTEM                      | 24V "Self-priming" volumetric water pump with quick-suction   |
| Total displacement | 2700cc - 4 in line(no Cylinders)  | Max capacity                      | 90 liters/min   |
| Injection          | Direct with mechanical control  | One tank with a total capacity of | 260KG   |
| Cooling            | Water, dry air filter   | Geometrical drum volume           | 2200 liters   |
| Max power          | 55Kw (75Hp)   | Drum rotation speed               | 15 rpm  |
| Max torque         | 237Nm@2000rpm   | Concrete produced as              | 1.6 m <sup>3</sup>  |
| Alternator         | 28V--500Wa (18A)  | Max flow rate                     | 20/40 liters/min  |
| Battery            | 2x12V--60AH (272A) Road light system, rear working lights   | Maximum pressure                  | 16MPa   |
| Steering           | Rear wheel steering   | Volumetric capacity               | 270 liters  |
| Drive type         | 4X4 FOUR-WHEEL DRIVE  | Number of loading times           | around 5  |
| Speed              | 3 forward gears 3 reverse gears   | CAB                               | Closed cab with heating system, Tilting front window, Anatomic seat with flexible suspension and height adjustment, |
| Low speed          | 0 - 70 Km/h   | Fuel tank                         | 110 liters  |
| High speed         | 0-40Km/h  | Total hydraulic system capacity   | 110 liters  |
| Axles and wheels   | Front wheel is steering with planetary reduction gears on the Isuzu Axle with flanged gearbox   | Engine oil                        | 16 liters   |
| Wheel Tires        | 12-165-12PR   | Operating weight                  | 5000 kg   |
| Max LOAD           | 3540kg, 450kPa  | Max gross weight                  | 8500 kg   |
| RIM                | 975   | load-carrying capacity            | 3500 kg   |
| BRAKES             | Internal wheel hub disc service and emergency brakes acting on the 4 wheels, activation with mini servo pump on independent dual circuit.Negative type parking brake, with internal wheel hub discs on the front axle | Length x Width x Height           | 6450x 2350x 2550 mm   |

\*We follows the principle of continuous improvement Product performance parameters will be partially changed due to technical improvements without prior notice.

