

**FK** **FUKE** 福客®

**FK-208D**

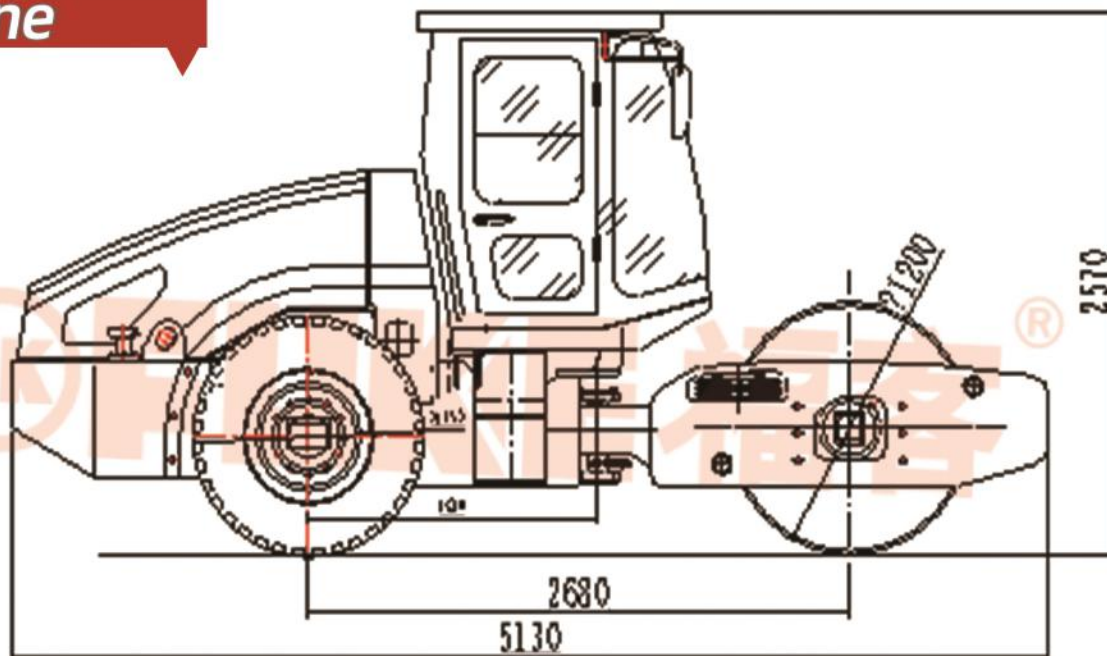
**FUKE**

**Boutique Manufacturing  
Conquer The World With Quality**



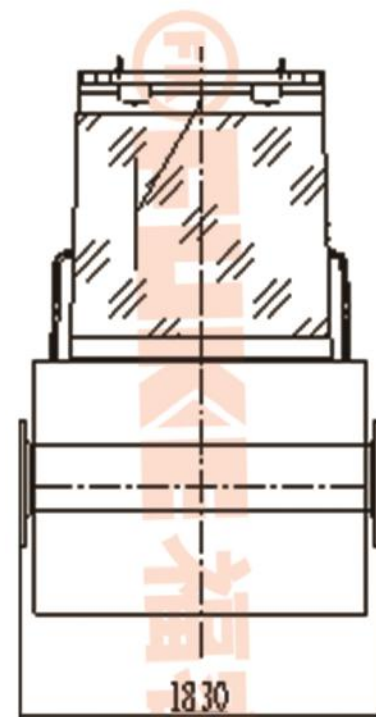


# Outline



# Technical Specification

Operating weight	8000 kg
Diameter of vibrating drum	φ1200 mm
Rolling width	1650 mm
Activating force	85 KN
Vibration frequency	48 Hz
Theoretical amplitude of vibration	0.5 mm
Moving speed Range I II III IV	2.2/4.2/7.5/12.5 km/h
backward I	2.5 km/h
Gradeability	25%
Diesel engine model	Yuchai
Rated rotation speed	2200 r/min
Rated power	42 kw
Overall dimensions L*W*H	5130×1830×2570 mm



- ★ Configuration, 4 cylinder XINCHAI engine, high efficiency, energy conservation, environmental protection;
- ★ Mechanical drive, four-gear driving speed;
- ★ Hydraulic vibration, manual vibration, great exciting force with high compacting efficiency;
- ★ Hydraulic steering, articulated frame with flexible steering and operation;
- ★ Equipped with gearbox with synchronizer, easy to shift gears.

\*We follows the principle of continuous improvement Product performance parameters will be partially changed due to technical improvements without prior notice.

